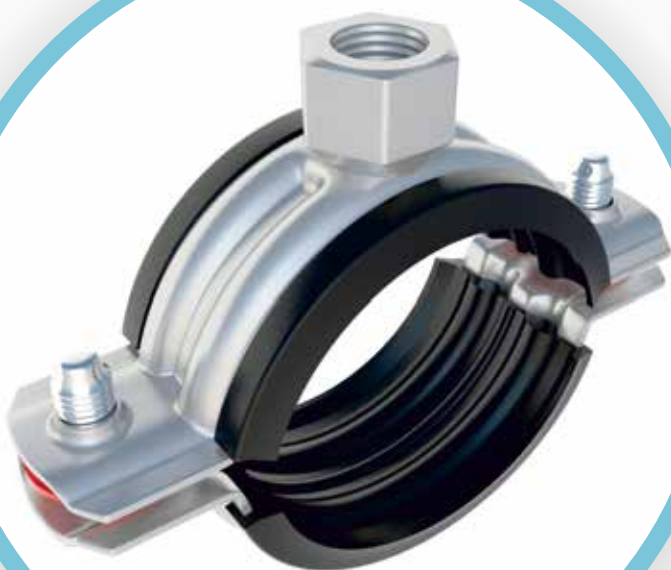


ASCELIK CLAMP





ALL OVER THE WORLD

**First Class
High Quality
Product**

ABOUT US

Ascelik Clamp Industry and Trade Limited Company which was founded in 2005, is a production participation of As Engineering Limited Company.

The factory which is located in Istanbul, Esenyurt has 1500 m² closed and 1000 m² open production area, presents the brand to World market.

Since the day it was founded, it has adopted customer satisfaction, high quality products and fast delivery from the stock as its principle.

Because of having advanced technology machines lines, it has the huge production capacity. It proceeds to increase its investment and product range with high standart quality of products and with qualified staff. Our products are under control by TSEK, CE, GOST-R, TUV and 1SO9001 tests and processes control certificates.

Ascelik Clamp Industry and Trade Limited Company has become preferred brand and commonly known with its extensive dealer network in Turkey. Due to the foreign dealer network it has announced its name the worldwide by exporting to the four continents.

WITH RUBBER



STRONG WELDING



WASHER



RUST-FREE



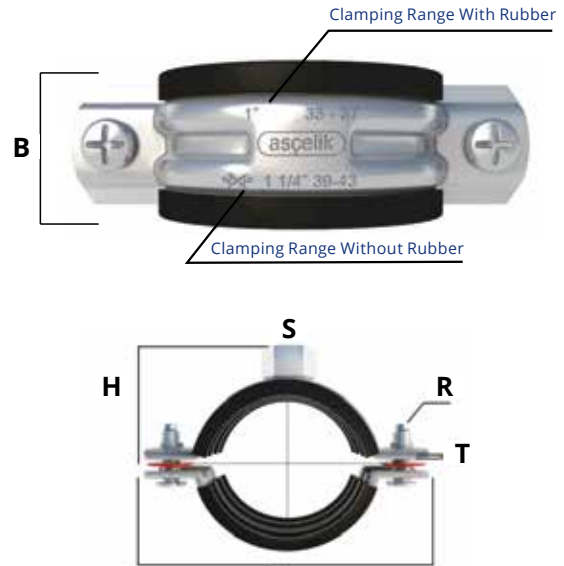
FIREPROOF



DURABLE



CLAMP WITH NUT (SET)



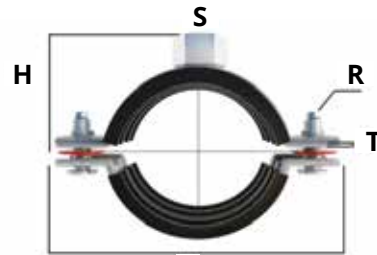
The standard metric conical nut is used for the hanger connection of clamps with nut. Conical welding head is attached with stronger welding.

* Clamp with nut, triphone and plastic dudel are packed as a set in bag

Size (INC)	BREAKING LOAD (KN)	RECOMMENDED LOAD (KN)
1/2" - 1"	3,9	1,3
1 1/4" - 2"	4,8	1,6
3" - 4"	6,9	2,3
4 1/2" - 811	7,8	2,6

Code	Clamping Range	Size (mm)	T X B (mm)	R (mm)	S (mm)	L X T (mm)	Quantity Per Box	Weinght Per Box (kg)
ASC 0020 S	20 -25	1/2'	1,00 X 20	M5	M8	8X80	130	8,6
ASC 0025 S	25 -29	3/4'	1,00 X 20	M5	M8	8X80	130	9,1
ASC 0032 S	32 -36	1'	1,00 X 20	M5	M8	8X80	120	9
ASC 0040 S	41 -45	1 1/4'	1,20 X 20	M5	M8	8X80	100	8,9
ASC 0048 S	49 -53	1 1/2'	1,20 X 20	M5	M8	8X80	100	9,3
ASC 0056 S	59 -65	2'	1,20 X 20	M5	M8	8X80	60	6,2
ASC 0075 S	75 -83	2 1/2'	1,50 X 25	M6	M10	10X80	40	8,2
ASC 0086 S	87 -95	3'	1,50 X 25	M6	M10	10X80	40	9
ASC 0097 S	97 -101	3 1/2'	1,50 X 25	M6	M10	10X80	40	10,4
ASC 0101 S	108 -118	4'	1,50 X 25	M6	M10	10X80	35	9,1
ASC 0123 S	122-134	4 1/2'	2,00 X 25	M6	M10	10X80	35	11,1
ASC 0138 S	134 -147	5'	2,00 X 25	M6	M10	10X80	30	10,2
ASC 0160 S	150 -164	5 1/2'	2,00 X 25	M6	M10	10X80	30	11,1
ASC 0166 S	157 -169	6'	2,00 X 25	M6	M10	10X80	20	8,1
ASC 0195 S	195 -200	7'	2,00 X 25	M6	M10	10X80	20	9,8
ASC 0216 S	216 -222	8'	2,00 X 25	M6	M10	10X80	15	10,2
ASC 0270 S	270 -276	10'	2,00 X 25	M6	M10	10X80	10	10,7

CLAMP WITH NUT

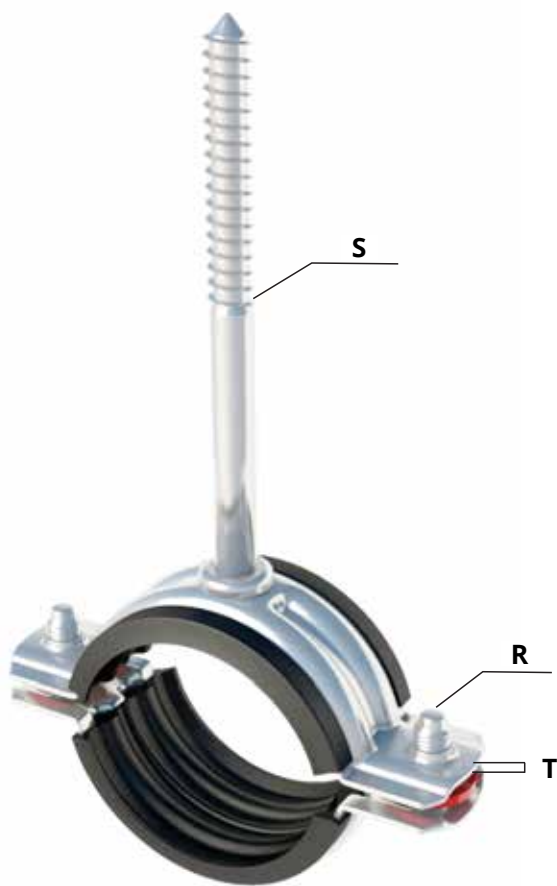


The standard metric conical nut is used for the hanger connection of clamps with nut. Conical welding head is attached with stronger welding.

Size (INC)	BREAKING LOAD (KN)	RECOMMENDED LOAD (KN)
1/2" - 1"	3,9	1,3
1 1/4" - 2"	4,8	1,6
3" - 4"	6,9	2,3
4 1/2" - 811	7,8	2,6

Code	Clamping Range	Size (mm)	T X B (mm)	R (mm)	S (mm)	Quantity Per Box	Weight Per Box (kg)
ASC 0018 S	14 - 18	3/8'	1,00 X 20	M5	M8	300	11,77
ASC 0020 S	20 - 25	1/2'	1,00 X 20	M5	M8	300	12,3
ASC 0025 S	25 - 29	3/4'	1,00 X 20	M5	M8	200	9,1
ASC 0032 S	32 - 36	1'	1,00 X 20	M5	M8	200	10,4
ASC 0040 S	41 - 45	1 1/4'	1,20 X 20	M5	M8	100	6,4
ASC 0048 S	49 - 53	1 1/2'	1,20 X 20	M5	M8	120	8,5
ASC 0056 S	59 - 65	2'	1,20 X 20	M5	M8	75	6,9
ASC 0075 S	75 - 83	2 1/2'	1,50 X 25	M6	M10	50	7,6
ASC 0086 S	87 - 95	3'	1,50 X 25	M6	M10	40	7,2
ASC 0097 S	97 - 101	3 1/2'	1,50 X 25	M6	M10	40	7,6
ASC 0101 S	108 - 118	4'	1,50 X 25	M6	M10	40	8,6
ASC 0123 S	122 - 134	4 1/2'	2,00 X 25	M6	M10	so	12,1
ASC 0138 S	134 - 147	4'	2,00 X 25	M6	M10	25	7,8
ASC 0160 S	150 - 164	5 1/2'	2,00 X 25	M6	M10	25	8,4
ASC 0166 S	157 - 169	6'	2,00 X 25	M6	M10	25	8,8
ASC 0195 S	195 - 200	7'	2,00 X 25	M6	M10	25	9,2
ASC 0216 S	216 - 222	8'	2,00 X 25	M6	M10	20	9,4
ASC 0270 S	270 - 276	10'	2,00 X 25	M6	M10	15	8,7

PIPE CLAMP WITH STANDART TRIPHONE

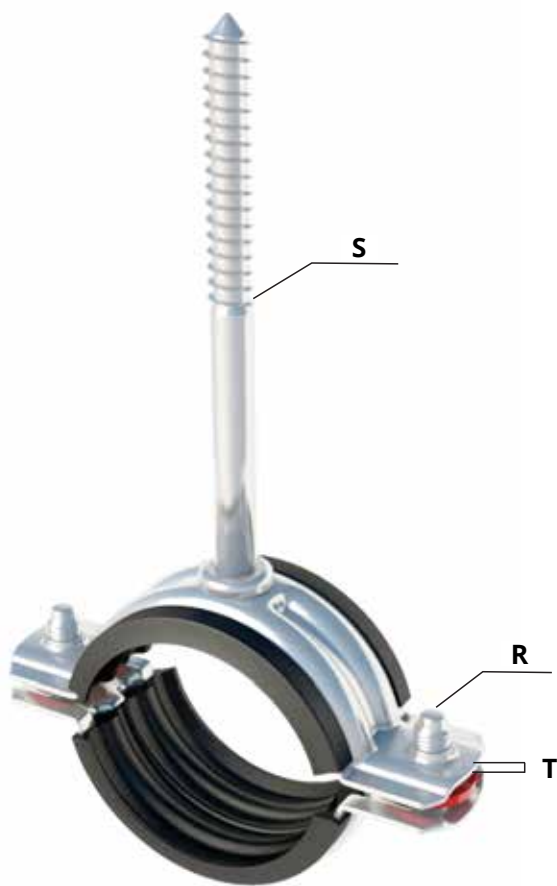


The triphone with 7x70 mm length is used for hanger connection of the clamps with standart triphone.

Size (INC)	BREAKING LOAD (KN)	RECOMMENDED LOAD (KN)
1/2" - 1"	3,9	1,3
1 1/4" - 2"	4,8	1,6
3" - 4"	6,9	2,3
4 1/2" - 811	7,8	2,6

Code	Clamping Range	Size (mm)	T X B (mm)	R (mm)	S (mm)	Quantity Per Box	Weinght Per Box (kg)
ASC 0020 KT	20 - 25	1/2'	1,00 X 20	M5	Q7x70	200	9,5
ASC 0025 KT	25 - 29	3/4'	1,00 X 20	M5	Q7x70	200	10,5
ASC 0032 KT	32 - 36	1'	1,00 X 20	M5	Q7x70	150	9,1
ASC 0040 KT	41 - 45	1 1/4'	1,20 X 20	M5	Q7x70	100	6,3
ASC 0048 KT	49 - 53	1 1/2'	1,20 X 20	M5	Q7x70	100	6,8
ASC 0056 KT	59 - 65	2'	1,20 X 20	M5	Q7x70	75	5,9
ASC 0075 KT	75 - 83	2 1/2'	1,50 X 25	M6	Q7x70	40	6,3
ASC 0086 KT	87 - 95	3'	1,50 X 25	M6	Q7x70	40	7,3
ASC 0100 KT	108 - 118	4'	1,50 X 25	M6	Q7x70	40	7,9
ASC 0123 KT	122 - 134	4 1/2'	2,00 X 25	M6	Q7x70	30	7,4
ASC 0138 KT	134 - 147	5'	2,00 X 25	M6	Q7x70	25	7,3
ASC 0160 KT	150 - 164	5 1/2'	2,00 X 25	M6	Q7x70	25	6,6
ASC 0166 KT	157 - 169	6'	2,00 X 25	M6	Q7x70	25	8,7

PIPE CLAMP WITH LONG TRIPHONE

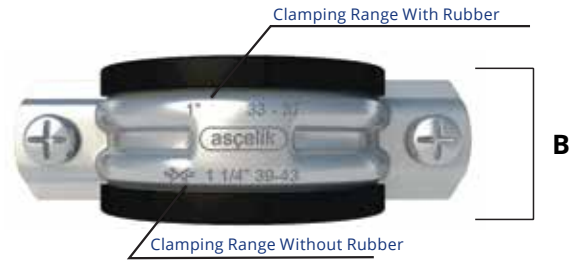


The triphone with 7x70 mm length is used for hanger connection of the clamps with standart triphone.

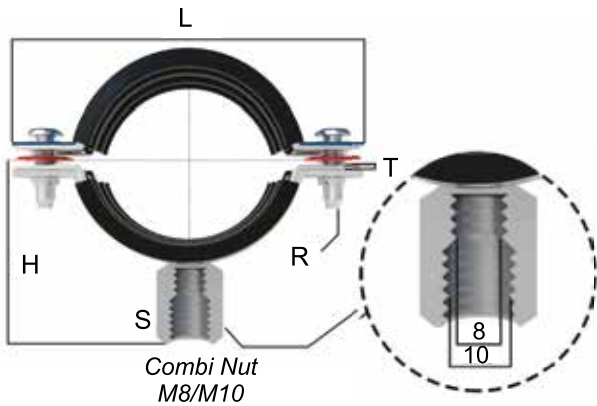
Size (INC)	BREAKING LOAD (KN)	RECOMMENDED LOAD (KN)
1/2" - 1"	3,9	1,3
1 1/4" - 2"	4,8	1,6
3" - 4"	6,9	2,3
4 1/2" - 811	7,8	2,6

Code	Clamping Range	Size (mm)	T X B (mm)	R (mm)	S (mm)	Quantity Per Box	Weinght Per Box (kg)
ASC 0020 UT	20 - 25	1/2'	1,00 X 20	M5	Q7x100	150	8,7
ASC 0025 UT	25 - 29	3/4'	1,00 X 20	M5	Q7x100	150	8,8
ASC 0032 UT	32 - 36	1'	1,00 X 20	M5	Q7x100	100	8,9
ASC 0040 UT	41 - 45	1 1/4'	1,20 X 20	M5	Q7x100	75	6,3
ASC 0048 UT	49 - 53	1 1/2'	1,20 X 20	M5	Q7x100	75	7,1
ASC 0056 UT	59 - 65	2'	1,20 X 20	M5	Q7x100	50	4,7
ASC 0075 UT	75 - 83	2 1/2'	1,50 X 25	M6	Q7x100	40	6,8
ASC 0086 UT	87 - 95	3'	1,50 X 25	M6	Q7x100	30	5,8
ASC 0100 UT	108 - 118	4'	1,50 X 25	M6	Q7x100	30	8,1
ASC 0123 UT	122 - 134	4 1/2'	2,00 X 25	M6	Q7x100	25	7,4
ASC 0138 UT	134 - 147	5'	2,00 X 25	M6	Q7x100	20	6,5
ASC 0160 UT	150 - 164	5 1/2'	2,00 X 25	M6	Q7x100	20	7,1
ASC 0166 UT	157 - 169	6'	2,00 X 25	M6	Q7x100	20	6,6

PIPE CLAMP WITH COMBI NUT



The combi nut which is used for hanger connection provides two different connection opportunities as MB and M10.



Size (INC)	BREAKING LOAD (KN)	RECOMMENDED LOAD (KN)
1/2" - 1"	3,9	1,3
1 1/4" - 2"	4,8	1,6
3" - 4"	6,9	2,3
4 1/2" - 8"	7,8	2,6

Code	Clamping Range	Size (mm)	T X B (mm)	R (mm)	S (mm)	Quantity Per Box	Weinght Per Box (kg)
ASC 0020 KT	20 - 25	1/2'	1,00 X 20	M5	Q7x70	200	9,5
ASC 0025 KT	25 - 29	3/4'	1,00 X 20	M5	Q7x70	200	10,5
ASC 0032 KT	32 - 36	1'	1,00 X 20	M5	Q7x70	150	9,1
ASC 0040 KT	41 - 45	1 1/4'	1,20 X 20	M5	Q7x70	100	6,3
ASC 0048 KT	49 - 53	1 1/2'	1,20 X 20	M5	Q7x70	100	6,8
ASC 0056 KT	59 - 65	2'	1,20 X 20	M5	Q7x70	75	5,9
ASC 0075 KT	75 - 83	2 1/2'	1,50 X 25	M6	Q7x70	40	6,3
ASC 0086 KT	87 - 95	3'	1,50 X 25	M6	Q7x70	40	7,3
ASC 0100 KT	108 - 118	4'	1,50 X 25	M6	Q7x70	40	7,9
ASC 0123 KT	122 - 134	4 1/2'	2,00 X 25	M6	Q7x70	30	7,4
ASC 0138 KT	134 - 147	5'	2,00 X 25	M6	Q7x70	25	7,3
ASC 0160 KT	150 - 164	5 1/2'	2,00 X 25	M6	Q7x70	25	6,6
ASC 0166 KT	157 - 169	6'	2,00 X 25	M6	Q7x70	25	8,7

PIPE CLAMP ITALIAN TYPE



The standard metric conical nut is used for the hanger connection in the production of clamps with nut. Conical welding head is attached with stronger welding.

* Please pay attention to diameters of clamps without rubber.



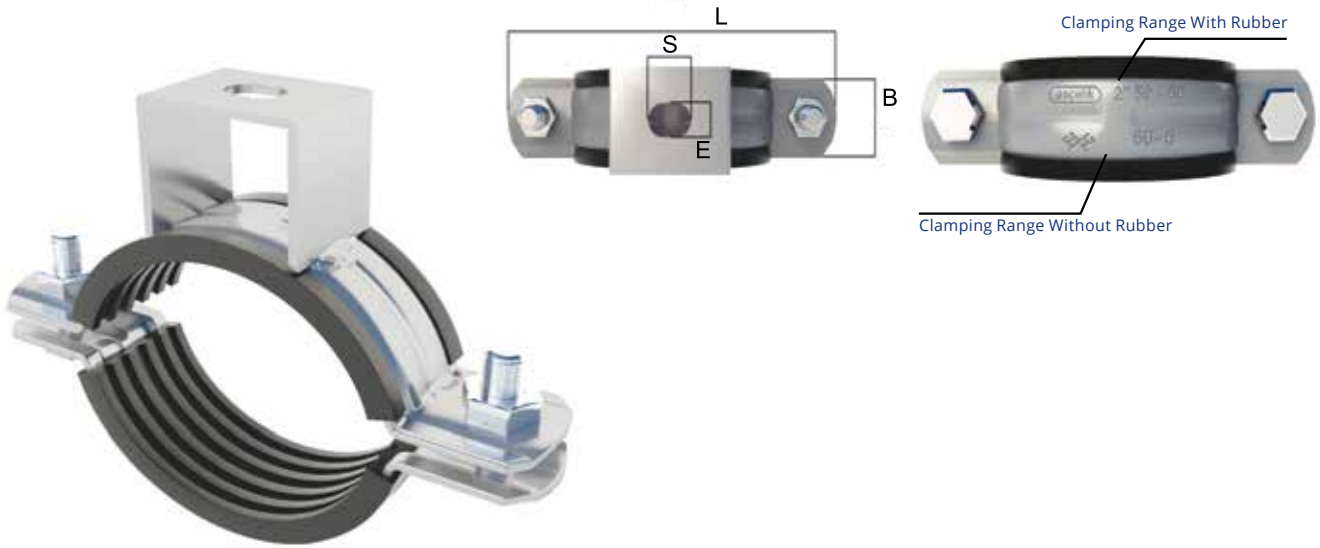
Code	Size (mm)	T X B (mm)	R (mm)	S (mm)	Quantity Per Box
ASC 0020 S	1/2'	2,00 X 20	M6x20	M8	300
ASC 0025 S	3/4'	2,00 X 20	M6x20	M8	200
ASC 0032 S	1'	2,00 X 20	M6x20	M8	200
ASC 0040 S	1 1/4'	2,20 X 20	M6x20	M8	100
ASC 0048 S	1 1/2'	2,20 X 20	M6x20	M8	120
ASC 0056 S	2'	2,20 X 20	M6x20	M8	75
ASC 0075 S	2 1/2'	2,50 X 20	M6x25	M8	50
ASC 0086 S	3'	2,50 X 20	M6x25	M8	40
ASC 0101 S	4'	2,50 X 20	M6x25	M8	40

COLLECTOR CLAMP

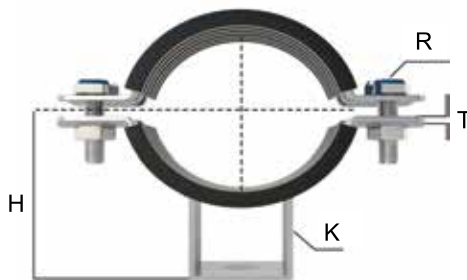
Quantity Per Box	Weinght Per Box (Average Kg)
120	10.5



HEAVY DUTY PIPE CLAMP



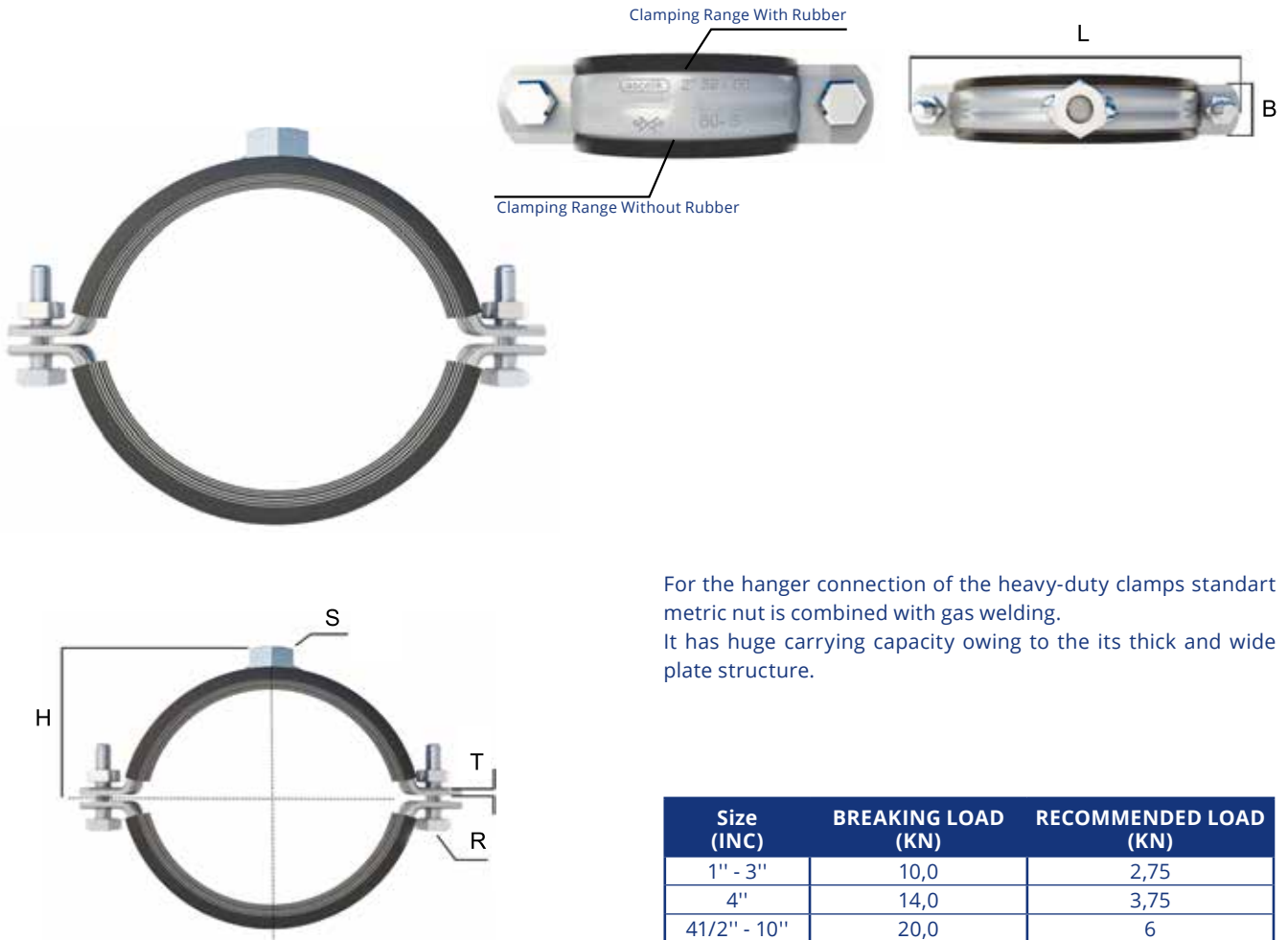
The head part which is pressed for the hanger connection of heavy duty clamps is produced by gas welding. It has huge carrying capacity owing to its thick and wide plate structure.



Size (INC)	BREAKING LOAD (KN)	RECOMMENDED LOAD (KN)
1" - 3"	10,0	2,75
4"	14,0	3,75
4 1/2" - 10"	20,0	6

Code	Clamping Range	Size (mm)	T X B (mm)	R (mm)	S (mm)	Quantity Per Box	Weinght Per Box (kg)
ASC 0032 AK	32 - 36	1'	2,00 X 25	M8	10,5x14	60	10,8
ASC 0039 AK	41 - 45	1 1/4'	2,00 X 25	M8	10,5x14	50	9,6
ASC 0048 AK	48 - 53	1 1/2'	2,00 X 25	M8	10,5x14	40	8,6
ASC 0059 AK	59 - 65	2'	2,00 X 25	M8	10,5x14	40	9,4
ASC 0074 AK	75 - 83	2 1/2'	2,00 X 25	M8	10,5x14	40	10,2
ASC 0087 AK	87 - 95	3'	2,00 X 25	M8	10,5x14	30	8,6
ASC 0108 AK	108 - 118	4'	2,00 X 30	M8	12x14	20	10,4
ASC 0135 AK	134 - 147	5'	3,00 X 30	M10	12x14	20	12
ASC 0162 AK	157 - 169	6'	3,00 X 30	M10	12x14	15	9,8
ASC 0206 AK	211 - 226	8'	4,00 X 30	M10	12x14	10	10,5
ASC 0260 AK	265 - 273	10'	4,00 X 30	M10	12x14	7	9,3

HEAVY DUTY PIPE CLAMP WITH NUT

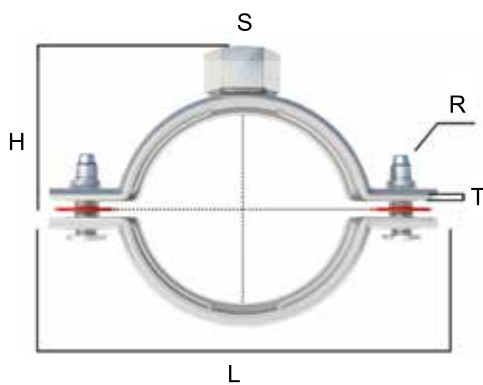


For the hanger connection of the heavy-duty clamps standart metric nut is combined with gas welding.
It has huge carrying capacity owing to the its thick and wide plate structure.

Size (INC)	BREAKING LOAD (KN)	RECOMMENDED LOAD (KN)
1" - 3"	10,0	2,75
4"	14,0	3,75
4 1/2" - 10"	20,0	6

Code	Clamping Range	Size (mm)	T X B (mm)	R (mm)	S (mm)	Quantity Per Box	Weinght Per Box (kg)
ASC 0032 AS	32 - 36	1'	2,00 X 25	M8	M12	70	12
ASC 0039 AS	41 - 45	1 1/4'	2,00 X 25	M8	M12	60	10,1
ASC 0048 AS	49 - 53	1 1/2'	2,00 X 25	M8	M12	50	9,1
ASC 0059 AS	59 - 65	2'	2,00 X 25	M8	M12	40	8
ASC 0074 AS	75 - 83	2 1/2'	2,00 X 25	M8	M12	40	8,7
ASC 0087 AS	87 - 95	3'	2,00 X 25	M8	M12	40	9,9
ASC 0108 AS	108 - 118	4'	2,50 X 30	M8	M12	20	14
ASC0135 AS	134 - 147	5'	3,00 X 30	M10	M16	20	11,2
ASC 0162 AS	157 - 169	6'	3,00 X 30	M10	M16	15	9,1
ASC 0206 AS	211 - 226	8'	4,00 X 30	M10	M16	10	10
ASC 0260 AS	265 - 273	10'	4,00 X 30	M10	M16	7	8,8

PIPE CLAMP WITH NUT NO RUBBER



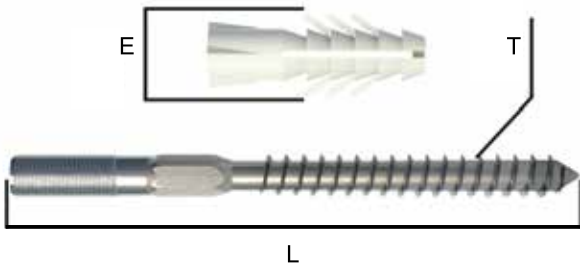
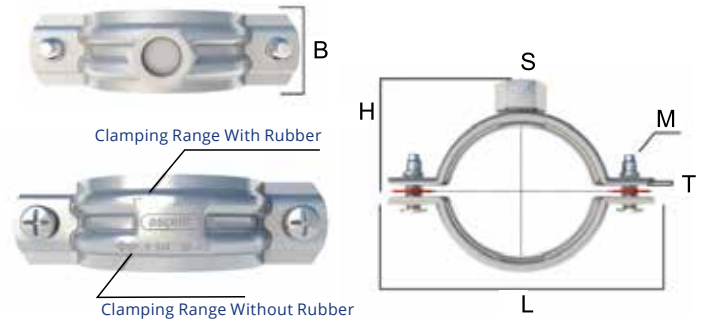
The standard metric conical nut is used for the hanger connection of clamps with nut. Conical welding head is attached with stronger welding.

Size (INC)	BREAKING LOAD (KN)	RECOMMENDED LOAD (KN)
1/2" - 1"	3,9	1,3
1 1/4" - 2"	4,8	1,6
3" - 4"	6,9	2,3
4 1/2" - 8"	7,8	2,6

* Please pay attention to diameters of clamps without rubber.

Code	Clamping Range	Size (mm)	T X B (mm)	R (mm)	S (mm)	Quantity Per Box	Weight Per Box (kg)
ASC 0018 S	14 - 18	3/8"	1,00 X 20	M5	M8	300	11,77
ASC 0020 S	20 - 25	1/2"	1,00 X 20	M5	M8	300	12,3
ASC 0025 S	25 - 29	3/4"	1,00 X 20	M5	M8	200	9,1
ASC 0032 S	32 - 36	1"	1,00 X 20	M5	M8	200	10,4
ASC 0040 S	41 - 45	1 1/4"	1,20 X 20	M5	M8	100	6,4
ASC 0048 S	49 - 53	1 1/2"	1,20 X 20	M5	M8	120	8,5
ASC 0056 S	59 - 65	2"	1,20 X 20	M5	M8	75	6,9
ASC 0075 S	75 - 83	2 1/2"	1,50 X 25	M6	M10	50	7,6
ASC 0086 S	87 - 95	3"	1,50 X 25	M6	M10	40	7,2
ASC 0097 S	97 - 101	3 1/2"	1,50 X 25	M6	M10	40	7,6
ASC 0101 S	108 - 118	4"	1,50 X 25	M6	M10	40	8,6
ASC 0123 S	122 - 134	4 1/2"	2,00 X 25	M6	M10	50	12,1
ASC0138 S	134 - 147	5"	2,00 X 25	M6	M10	25	7,8
ASC 0160 S	150 - 164	5 1/2"	2,00 X 25	M6	M10	25	8,4
ASC 0166 S	157 - 169	6"	2,00 X 25	M6	M10	25	8,8
ASC 0195 S	195 - 200	7"	2,00 X 25	M6	M10	25	9,2
ASC 0216 S	216 - 222	8"	2,00 X 25	M6	M10	20	9,4
ASC 0270 S	270 - 276	10"	2,00 X 25	M6	M10	15	8,7

PIPE CLAMP WITH NUT (SET) NO RUBBER



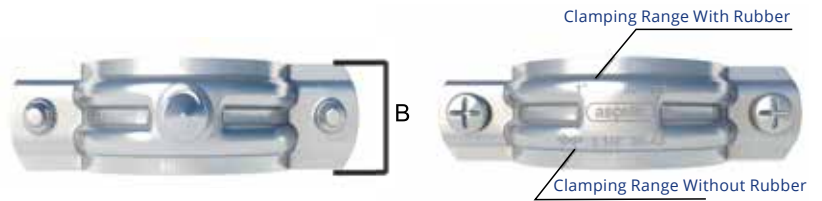
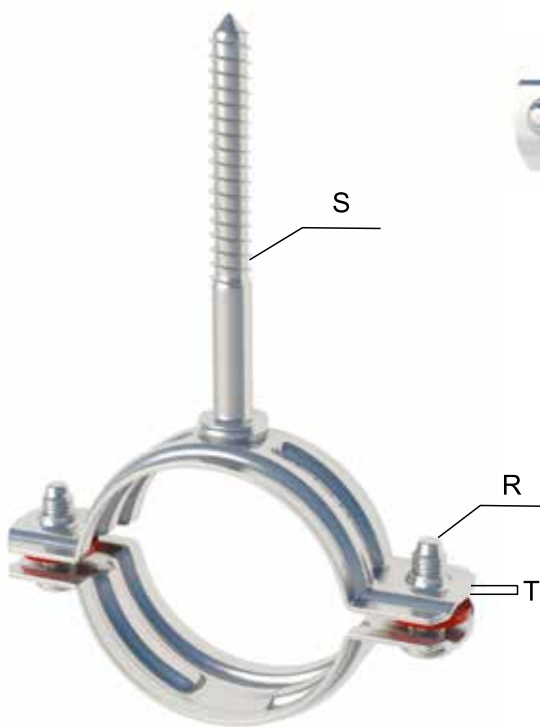
The standard metric conical nut is used for the hanger connection of clamps with nut. Conical welding head is attached with stronger welding.

Size (INC)	BREAKING LOAD (KN)	RECOMMENDED LOAD (KN)
1/2" - 1"	3,9	1,3
1 1/4" - 2"	4,8	1,6
3" - 4"	6,9	2,3
4 1/2" - 8"	7,8	2,6

* Please pay attention to diameters of clamps without rubber.

Code	Clamping Range	Size (mm)	T X B (mm)	R (mm)	S (mm)	LXT (mm)	Quantity Per Box	Weinght Per Box (kg)
ASC 0020 S	20 - 25	1/2'	1,00 X 20	M5	M8	8 X 80	130	8,6
ASC 0025 S	25 - 29	3/4'	1,00 X 20	M5	M8	8 X 80	130	9,1
ASC 0032 S	32 - 36	1'	1,00 X 20	M5	M8	8 X 80	120	9
ASC 0040 S	41 - 45	1 1/4'	1,20 X 20	M5	M8	8 X 80	100	8,9
ASC 0048 S	49 - 53	1 1/2'	1,20 X 20	M5	M8	8 X 80	100	9,3
ASC 0056 S	59 - 65	2'	1,20 X 20	M5	M8	8 X 80	60	6,2
ASC 0075 S	75 - 83	2 1/2'	1,50 X 25	M6	M10	10 X 80	40	8,2
ASC 0086 S	87 - 95	3'	1,50 X 25	M6	M10	10 X 80	40	9
ASC 0101 S	108 - 118	4'	1,50 X 25	M6	M10	10 X 80	35	9,1
ASC 0123 S	122 - 134	4 1/2'	2,00 X 25	M6	M10	10 X 80	35	11,1
ASC 0138 S	134 - 147	5'	2,00 X 25	M6	M10	10 X 80	30	10,2
ASC 0160 S	150 - 164	5 1/2'	2,00 X 25	M6	M10	10 X 80	30	11,1
ASC 0166 S	157 - 169	6'	2,00 X 25	M6	M10	10 X 80	20	8,1

PIPE CLAMP WITH STANDART TRIPHONE NO RUBBER



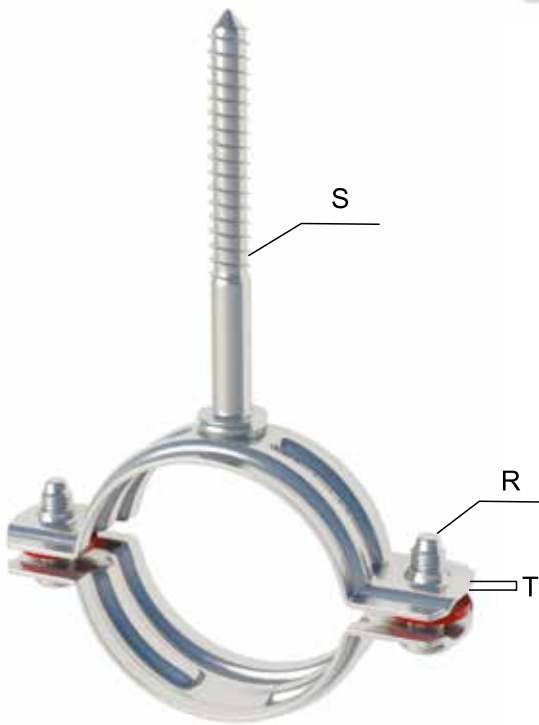
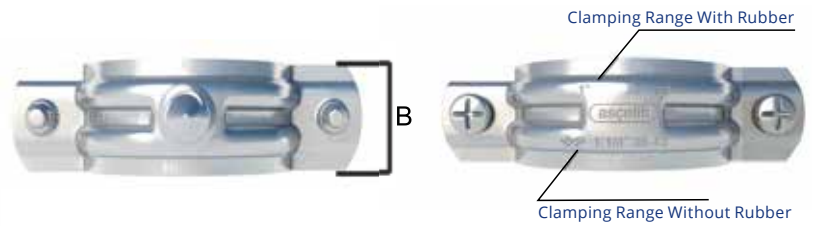
The triphone with the 7cm x 70mm length is used for hanger connection in the clamps with short triphone.

Size (INC)	BREAKING LOAD (KN)	RECOMMENDED LOAD (KN)
1/2" - 1"	3,9	1,3
1 1/4" - 2"	4,8	1,6
3" - 4"	6,9	2,3
4 1/2" - 8"	7,8	2,6

* Please pay attention to diameters of clamps without rubber.

Code	Clamping Range	Size (mm)	T X B (mm)	R (mm)	S (mm)	Quantity Per Box	Weinght Per Box (kg)
ASC 0020 KT	20 - 25	1/2'	1,00 X 20	M5	Q7x70	200	9,5
ASC 0025 KT	25 - 29	3/4'	1,00 X 20	M5	Q7x70	200	10,5
ASC 0032 KT	32 - 36	1'	1,00 X 20	M5	Q7x70	150	9,1
ASC 0040 KT	41 - 45	1 1/4'	1,20 X 20	M5	Q7x70	100	6,3
ASC 0048 KT	49 - 53	1 1/2'	1,20 X 20	M5	Q7x70	100	6,8
ASC 0056 KT	59 - 65	2'	1,20 X 20	M5	Q7x70	75	5,9
ASC 0075 KT	75 - 83	2 1/2'	1,50 X 25	M6	Q7x70	40	6,3
ASC 0086 KT	87 - 95	3'	1,50 X 25	M6	Q7x70	40	7,3
ASC 0100 KT	108 - 118	4'	1,50 X 25	M6	Q7x70	40	7,9
ASC 0123 KT	122 - 134	4 1/2'	2,00 X 25	M6	Q7x70	30	7,4
ASC 0138 KT	134 - 147	5'	2,00 X 25	M6	Q7x70	25	7,3
ASC 0160 KT	150 - 164	5 1/2'	2,00 X 25	M6	Q7x70	25	6,6
ASC 0166 KT	157 - 169	6'	2,00 X 25	M6	Q7x70	25	8,7

PIPE CLAMP WITH LONG TRIPHON NO RUBBER



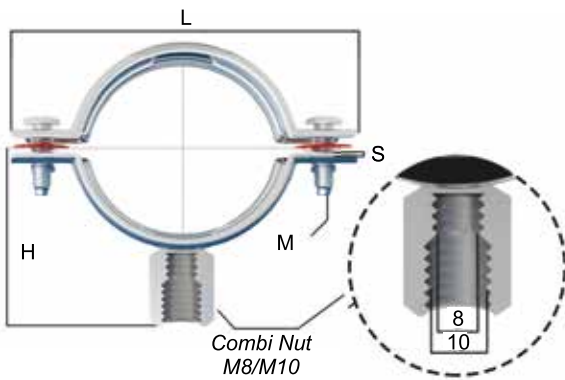
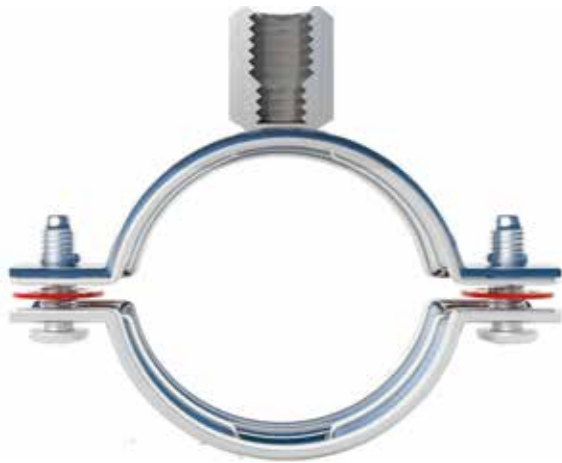
The triphone with 7x100 mm length is used for the hanger connection of the clamps with long triphone.

Size (INC)	BREAKING LOAD (KN)	RECOMMENDED LOAD (KN)
1/2" - 1"	3,9	1,3
1 1/4" - 2"	4,8	1,6
3" - 4"	6,9	2,3
4 1/2" - 8"	7,8	2,6

* Please pay attention to diameters of clamps without rubber.

Code	Clamping Range	Size (mm)	T X B (mm)	R (mm)	S (mm)	Quantity Per Box	Weinght Per Box (kg)
ASC 0020 UT	20 - 25	1/2'	1,00 X 20	M5	Q7x100	150	8,7
ASC 0025 UT	25 - 29	3/4'	1,00 X 20	M5	Q7x100	150	8,8
ASC 0032 UT	32 - 36	1'	1,00 X 20	M5	Q7x100	100	8,9
ASC 0040 UT	41 - 45	1 1/4'	1,20 X 20	M5	Q7x100	75	6,3
ASC 0048 UT	49 - 53	1 1/2'	1,20 X 20	M5	Q7x100	75	7,1
ASC 0056 UT	59 - 65	2'	1,20 X 20	M5	Q7x100	50	4,7
ASC 0075 UT	75 - 83	2 1/2'	1,50 X 25	M6	Q7x100	40	6,8
ASC 0086 UT	87 - 95	3'	1,50 X 25	M6	Q7x100	30	5,8
ASC 0100 UT	108 - 118	4'	1,50 X 25	M6	Q7x100	30	8,1
ASC 0123 UT	122 - 134	4 1/2'	2,00 X 25	M6	Q7x100	25	7,4
ASC 0138 UT	134 - 147	5'	2,00 X 25	M6	Q7x100	20	6,5
ASC 0160 UT	150 - 164	5 1/2'	2,00 X 25	M6	Q7x100	20	7,1
ASC 0166 UT	157 - 169	6'	2,00 X 25	M6	Q7x100	20	6,6

PIPE CLAMP WITH COMBI NUT WITHOUT RUBBER



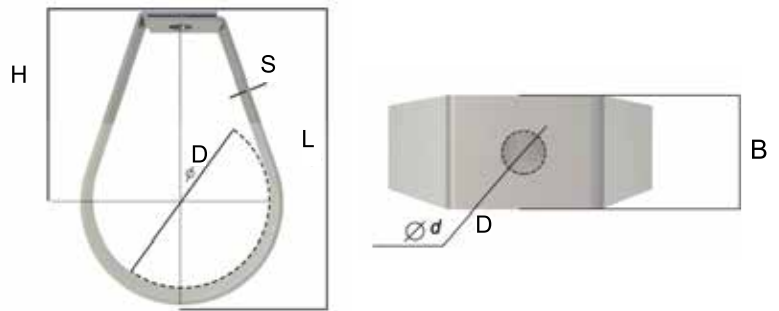
The combi nut which is used for hanger connection provides two different connection opportunities as M8 and M10.

Size (INC)	BREAKING LOAD (KN)	RECOMMENDED LOAD (KN)
1/2" - 1"	3,9	1,3
1 1/4" - 2"	4,8	1,6
3" - 4"	6,9	2,3
4 1/2" - 8"	7,8	2,6

* Please pay attention to diameters of clamps without rubber.

Code	Clamping Range	Size (mm)	T X B (mm)	R (mm)	S (mm)	Quantity Per Box	Weight Per Box (kg)
ASC 0020 S	20 - 25	1/2'	1,00 X 20	M5	M8/M10	300	12,3
ASC 0025 S	25 - 29	3/4'	1,00 X 20	M5	M8/M10	200	9,1
ASC 0032 S	32 - 36	1'	1,00 X 20	M5	M8/M10	200	10,4
ASC 0040 S	41 - 45	1 1/4'	1,20 X 20	M5	M8/M10	100	6,4
ASC 0048 S	49 - 53	1 1/2'	1,20 X 20	M5	M8/M10	120	8,5
ASC 0056 S	59 - 65	2'	1,20 X 20	M5	M8/M10	75	6,9
ASC 0075 S	75 - 83	2 1/2'	1,50 X 25	M6	M8/M10	50	7,6
ASC 0086 S	87 - 95	3'	1,50 X 25	M6	M8/M10	40	7,2
ASC 0101 S	108 - 118	4'	1,50 X 25	M6	M8/M10	40	8,6
ASC 0123 S	122 - 134	4 1/2'	2,00 X 25	M6	M8/M10	50	12,1
ASC 0138 S	134 - 147	5'	2,00 X 25	M6	M8/M10	25	7,8
ASC 0160 S	150 - 164	5 1/2'	2,00 X 25	M6	M8/M10	25	8,4
ASC 0166 S	157 - 169	6'	2,00 X 25	M6	M8/M10	25	8,8

SPRINKLER PIPE CLAMP



The hanger height can be arranged as much as desired with the help of the rod sticks because of the form structure of the sprinkler clamps.

Size (INC)	BREAKING LOAD (KN)	RECOMMENDED LOAD (KN)
1" - 2"	14,0	1,5
2 1/2" - 4"	21,0	3,9
5" - 6"	25,0	7,5
8" - 10"	40,00	13

Code	Size (mm)	Clamping Range	SXB (mm)	Quantity Per Box	Weinght Per Box (kg)
ASC 0032 SP	1'	32	1,0 X 25	150	5,8
ASC 0040 SP	1 1/4'	40	1,2 X 25	100	5,9
ASC 0048 SP	1 1/2'	50	1,2 x25	80	5,6
ASC 0056 SP	2'	60	1,2 X 25	75	6,8
ASC 0075 SP	2 1/2'	75	1,5 X 25	50	5,5
ASC 0086 SP	3'	90	1,5 X 25	50	5,6
ASC 0100 SP	4'	116	2,0 X 25	30	5,7
ASC 0138 SP	5'	140	2,5 X 25	25	7,2
ASC 0163 SP	6'	165	2,5 X 25	20	7,9

SELECTION TABLE FOR USE

PIPE CLAMP SELECTION TABLE FOR STANDART TYPE PIPES

CLAMP		PIPE	
Size	Clamping Range	Size	Diameter
	(mm)	(inch)	(mm)
1/2"	21-26	1/2"	21,3
3/4"	26-30	3/4"	26,9
1"	33-37	1"	33,7
1 1/4"	40-46	1 1/4"	42,4
1 1/2"	48-53	1 1/2"	48,3
2"	60-66	2"	60,3
2 1/2"	75-84	2 1/2"	76,1
3"	87-96	3"	88,9
4"	109-119	4"	114,3
4 1/2"	125-135	4 1/2"	Ara
5"	135-148	5"	139,7
5 1/2"	151-164	5 1/2"	Ara
6"	158-170	6"	168,3
8"	214-224	8"	219,1



PIPE CLAMP SELECTION TABLE FOR HEAVY DUTY TYPE PIPES

CLAMP		PIPE	
Size	Clamping Range	Size	Diameter
	(mm)	(inch)	(mm)
1"	33-40	1"	33,7
1 1/4"	41-48	1 1/4"	42,4
1 1/2"	48-56	1 1/2"	48,3
2"	60-69	2"	60,3
2 1/2"	76-84	2 1/2"	76,1
3"	87-95	3"	88,9
4"	109-119	4"	114,3
5"	136-147	5"	139,7
6"	164-174	6"	168,3
8"	214-226	8"	219,1
10"	266-274	10"	273



SELECTION TABLE FOR USE

STANDARD PIPE CLAMP SELECTION TABLE FOR PPRC PIPES

STANDART PIPE CLAMPS		PPRC PIPE SIZE	
Size	Clamping Range	Size	Diameter
	(mm)	(inch)	(mm)
1/2"	21-26	20	26,8
1"	33-37	25	33,4
1 1/4"	40-46	32	42,8
1 1/2"	48-53	40	53,4
2"	60-66	50	66,6
2 1/2"	75-84	63	84
3"	94-104	75	100
4"	109-119	90	120
5"	135-148	110	146,6



PVC and STANDARD PIPE CLAMP SELECTION TABLE FOR PVC PIPES

STANDART PIPE CLAMPS		PPRC PIPE SIZE	
Size	Clamping Range	Size	Diameter
	(mm)	(inch)	(mm)
1 1/2"	48-53	50	50
2 1/2"	75-84	70	75
4"	109-119	100	110
4 1/2"	125-135	125	125
5 1/2"	151-164	150	158
7"	194-205	200	198



* Standart Clamp: Pipe clamps with nut, with combi nut, with screw, with long screw.

OTHER FITTINGS

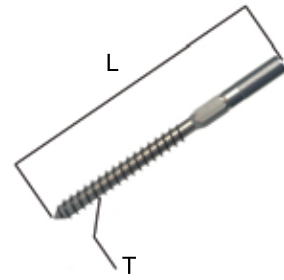
SCREW ROD

Size	L	M	Quantity Per Box	Weight Per Box (Average Kg)
	(mm)	(mm)		
M8 X 1000	1000	M8	50	15,2
M8 X 2000	2000	M8	25	15,7
M10 X 1000	1000	M10	30	14,5
M10 X 2000	2000	M10	20	19,5



TRIPHONE ADAPTER

Size	L	M	Quantity Per Box	Weight Per Box (Average Kg)
	(mm)	(mm)		
M8X80	80	M8	850	17,1
M8X100	100	M8	800	17,2
M8X120	120	M8	750	20,3
M10X80	80	M10	650	20,1
M10X100	100	M10	500	23,6
M10X120	120	M10	400	21,9



NUT

Size	Quantity Per Box	Weight Per Box (Average Kg)
M8	500	2,7
M10	500	5,9
M12	200	3,5
M16	200	6,7



DRAW-IN ANCHOR (S TYPE)

Size	Single Anchor Recommended Load	Contortion Moment
	(KN)	(NM)
M8	3,5	12,5
M10	5,0	24,9
M12	7,4	43,7



DROP-IN ANCHOR

Size	Single Anchor Recommended Load	Contortion Moment
	(KN)	(NM)
M8	1,8	6,2
M10	3,6	12,5
M12	5,7	21,8
M16	7,4	55,8



PLASTIC ANCHOR

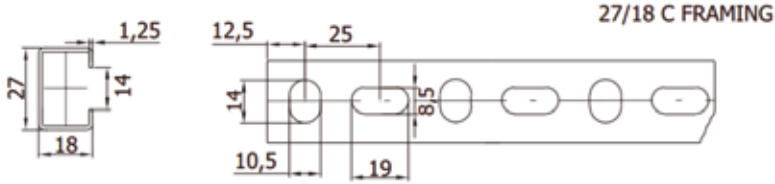
mm	Quantity Per Box	Weight Per Box
	Box	Box
10	25.000	37,78
12	10.000	24,85



OTHER FITTINGS

C Framing

Profil	(kg/m)	Area cm 2	F(kN)	L(cm)	Screw Size
27/18	0,64	0,75	1,7	7	M8
28/30	1,28	1,45	2,5	12	M8
38/40	2,04	2,46	5	15	M10

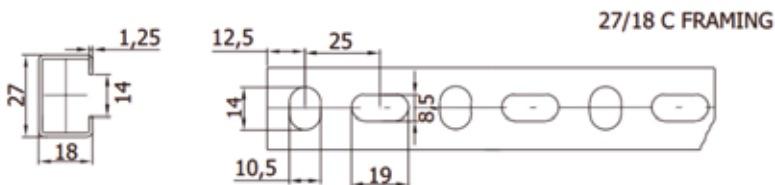


C profile is used as support and connecting element in outer claddings, electrical installations, pipe suspension systems.



U Framing

H (mm)	W (mm)	S (mm)	L (mm)	Agirlik(gr)	AxB(mm)	F (mm)
30	30	3	2000	3250	20x10	45
40	40	3	2000	4200	25x12,5	45
40	40	4	2000	5600	25x12,5	45
50	50	4	2000	7775	25x12,5	45

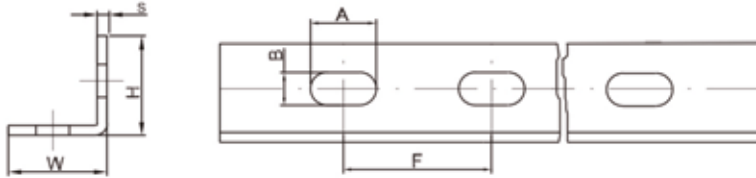


U profil is used in horizontal and vertical pipe hanger installation, ventilation duct detection and pipe support systems as support and connection elements.

OTHER FITTINGS

L Framing

H (mm)	W (mm)	S (mm)	L (mm)	Agirlik(gr)	AxB(mm)	F (mm)
30	30	3	2000	2100	20x10	45
40	40	3	2000	3000	25x12,5	45
40	40	4	2000	3800	25x12,5	45
so	so	4	2000	5080	25x12,5	45



L profil is used in horizontal and vertical pipe hanger installation, ventilation duct detection and pipe support systems as support and connection elements.

Corner Type Metal Support

a x b x c (mm)	Q (mm)	Pieces per Package
----------------	--------	--------------------

200 X 200 X 4	20 X 10	10
160 X 200 X 4	20 X 10	10



Used for the concole applications of various profiles and pipes.

U Metal Support

a x b x c (mm)	Q (mm)	Suitable C Framing	Pieces per Package
----------------	--------	--------------------	--------------------

38 X 38 X 40	20 X 11	28 / 30	20
53 X 45 X 80	20 X 11	38 / 40	10



Used for the concole applications of various profiles and pipes.

Sliding Hinge

Size (mm)	L	C	W (max)	Quantity Per Box	Weight Per Box w(kg)
	(mm)	(mm)	(mm)		
30x40x2x200	210	147	85	25	17,85
30x40x2x250	260	197	135	25	20,01
50x50x3x250	260	200	127	10	21,13



■ Production Plant /Central Warehouse
Botevgrad 2140, POB 65
3, Industrialna Street
e-mail: office.bg@pipelife.com
www.pipelife.bg

■ Sofia Warehouse
Sofia, 441A Botevgradsko Shose Blvd
(next to OMV Gas Station)
Cell phone: 0893 697 468
e-mail: sklad.sofia@pipelife.com

PIPELIFE 
always part of your life