

COMPLETE SOLUTIONS FOR WATERPRESSURE SUPPLY CONSTRUCTION

WATERPRESSURE PIPES

AQUALIFE PE100 AND AQUALINE PE100RC

PipeLife is a leader in the production of PE100 and PE100RC polyethylene pipes in Bulgaria and worldwide. The product range includes diameters from DN20 to DN400 for all most commonly used nominal pressures PN6 – PN25. The pipes are manufactured according to established European standards and for their production is used a primary, certified raw material with black color, which guarantees a long and trouble-free service life.



- + QUALITY MARK OF BWA
- + RESISTANCE TO HIGH CONCENTRATED LOAD
- + SUITABLE FOR DIFFERENT APPLICATIONS AND INSTALLATIONS



PIPELIFE 

ELECTROFUSION FITTINGS

FOX FITTINGS PE100RC

The high quality requirements, certified virgin material **PE100RC** and the long experience of over 30 years in the production of injection cast electrofusion fittings made the Polish manufacturer FOX the perfect choice for a partner of PipeLife and a great addition to the package for infrastructure plumbing solutions. The raw material used for the production of the fittings provides an additional level of protection in the laying and operation of the system. PipeLife **is an official partner and a representative** of FOX for the Balkan Peninsula, and as such in stock maintains the full standard range of fittings with nominal pressure PN16.



- + RESISTANCE TO INTERNAL PRESSURE
- + FAST CONNECTION BETWEEN ELEMENTS
- + SECURE CONNECTION



SPIGOT FITTINGS

TURAN MAKINA PE100

Turkish manufacturer Turan Borfit with trade name Turan Makina are a Turkish manufacturer that first appeared on the market more than 25 years ago. The standardized butt weld fittings are made of **PE100** primary certified material, injection molded. In addition, the manufacturer offers non-standard fittings made on a specific project depending on the specific situation. PipeLife as an official representative and partner of Turan Makina keeps in stock injection cast butt welding fittings with nominal pressures of 10 and 16 bar.

- + INJECTION MOLDED
- + SECURE CONNECTION
- + NON-CORROSIVE



VALVES

TONINI

Meticulousness - a word that fully describes a manufacturer as TONINI. With many years of experience behind him, Tonini first appeared on the market in 2019, a Bulgarian manufacturer of fittings located in Veliko Tarnovo on fittings with the highest requirements for the quality of manufactured products. Due to the high requirements for the quality of the product, PipeLife became the official representative of Tonini for Bulgaria in 2022. TONINI has a wide range of fixtures for plumbing systems as in stock supports the standard range of PN10 and PN16 for shut-off valves.

- + **CERTIFICATES OF COMPLIANCE WITH EUROPEAN STANDARDS**
- + **EASY MANIPULATION**
- + **STRENGTHNED BODY**



WATER METER CHAMBER

PIPELIFE PRO WM

The water meter chamber of PipeLife is approved by many water supply and sewerage operators, being a water meter unit and is in compliance with the requirements of all applicable regulations. It is designed to provide minimal excavation work, minimal effort and maximum ease of reading of the water meter. The shaft is supplied with pre-installed fittings and holands prepared for direct installation of the water meter. The shaft is made of polypropylene with pre-installed piping units, providing minimal distances before and after the water meter.

The water meter shaft is equipped with an insulating layer that protects it from freezing. Available as standard piping diameter configurations Ø25 and Ø32.



- + **READY FOR INSTALLATION**
- + **QUICK AND EASY INSTALLATION**
- + **POSSIBILITY OF CONFIGURATION ACCORDING TO INDIVIDUAL NEEDS**

VALVE CHAMBER

PIPELIFE PRO VALVE

Valve chambers are a key element of the water supply network, applying it where access to various fittings is needed. That's why PipeLife has developed a product that saves time and facilitates installation - PRO VALVE. PipeLife's PRO VALVE valve chambers provide easy access to different types of valves and accessories. Available with a diameter of 1000, the shaft body is made of injection molded polypropylene and is suitable for all pipe diameters.



- + EASY ACCESS
- + HIGH CHEMICAL AND ABRASIVE RESISTANCE
- + LIGHT WEIGHT AND MECHANICAL STRENGTH

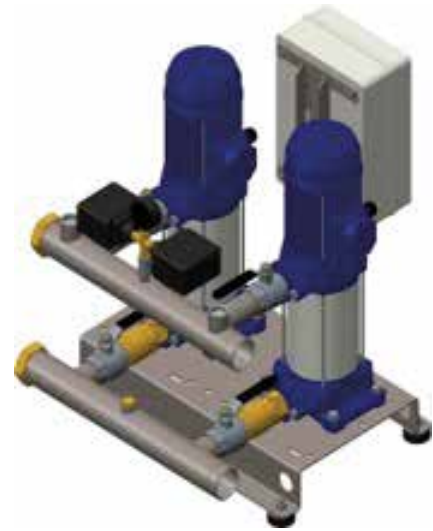


BOOSTER SYSTEMS

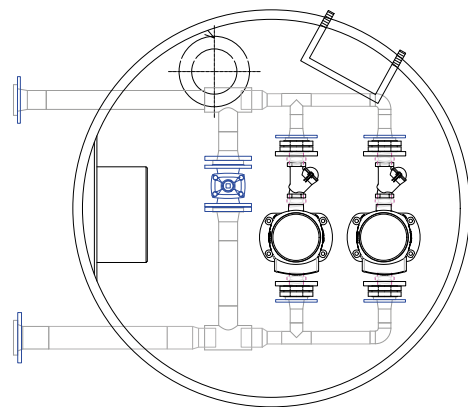
PIPELIFE PRO HYDRO

Pressure is one of the most significant indicators of the water supply network. Where it is insufficient, pressure boosting systems shall be provided. Designed to save time and money, the PRO HYDRO system is a ready-to-lay product.

The pressure boosting systems of PipeLife, PRO HYDRO are modular, ready-to-install equipment designed for single-family houses and hotels, as well as for larger sites. PipeLife offers pre-prepared cataloging facilities and those made according to an individual project.



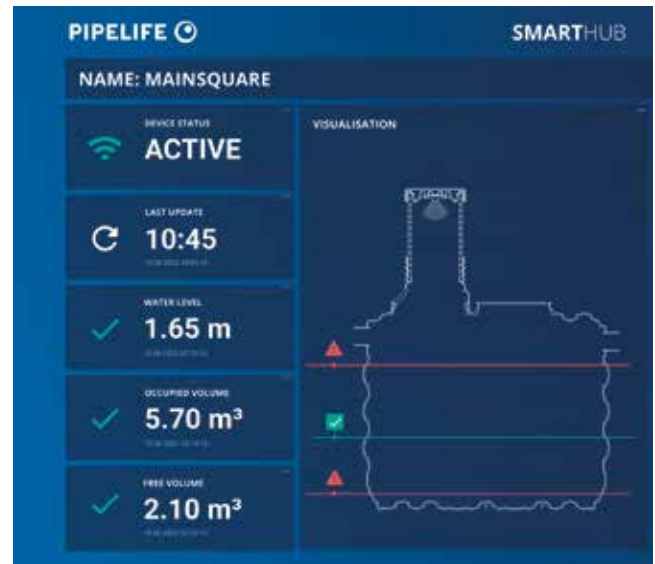
- + **FINISHED PRODUCT, SMALL IN SIZE AND LIGHT WEIGHT**
- + **WIDE RANGE AND POSSIBLE CONFIGURATIONS**
- + **EASY CONNECTION TO EXISTING NETWORKS**



CONTROL AND MONITORING

SMART LEVEL METER

The Smart Level Meter by Pipelife uses radar measuring technology to measure water level. The battery powered, wireless system allows monitoring of water levels via PIPELIFE SmartHub - online interface for visualization of data and notifications. Applicable for storage tanks, infiltration systems, manholes, pumping stations and separators.



- + ACCESS TO THE PIPELIFE SECURE CLOUD, SMARTHUB
- + COMPACT DESIGN AND ADAPTIVE NOTIFICATION CRITEREA
- + QUICK AND EASY INSTALLATION, COMBINED WITH LONG LASTING BATTERY LIFE





The contents and information contained in this brochure are intended for general marketing purposes only and shall not be relied upon by any person as complete or accurate. In particular, this brochure cannot replace proper expert advice on the characteristics of the products, their usage, suitability for any intended purpose, or the proper processing method. All contributions and illustrations in this brochure are subject to copyright. Unless explicitly otherwise stated, the repetition of content is not permitted. The use of photocopies from this brochure is for private and non-commercial use only. Any duplication or distribution for professional purposes is strictly forbidden. Non-Liability: PIPELIFE has established this brochure to the best of its knowledge. Pipelife cannot accept any liability suffered or incurred by any person resulting from or in connection with any reliance on the content of or the information contained in this brochure. This limitation applies to all loss or damage of any kind, including but not limited to direct or indirect damages, consequential or punitive damages, frustrated expenses, lost profit or loss of business.