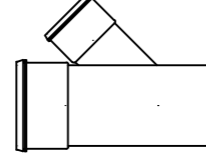


DN/OD160

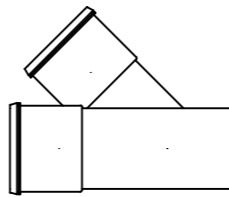
ТРОЙНИК PRAGMA 160/110-45°

dn[mm]=160;
d1[mm]=110;
Z1[mm]=108;
Z2[mm]=183;
Z3[mm]=184;
t1[mm]=97;
t2[mm]=73;
A[mm]=110



ТРОЙНИК PRAGMA 160/160-45°

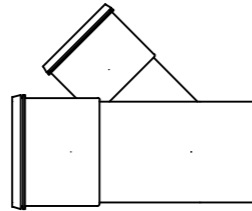
dn[mm]=160;
d1[mm]=160;
Z1[mm]=133;
Z2[mm]=214;
Z3[mm]=214;
t1[mm]=97;
t2[mm]=97;
A[mm]=106



DN/OD200

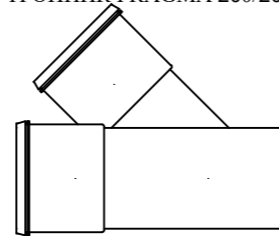
ТРОЙНИК PRAGMA 200/160-45°

dn[mm]=200;
d1[mm]=160;
Z1[mm]=134;
Z2[mm]=231;
Z3[mm]=239;
t1[mm]=116;
t2[mm]=97;
A[mm]=121



ТРОЙНИК PRAGMA 200/200-45°

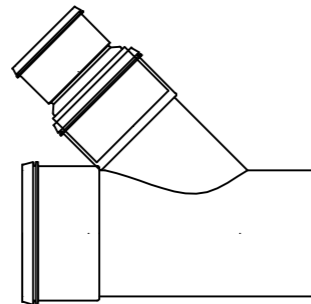
dn[mm]=200;
d1[mm]=200;
Z1[mm]=153;
Z2[mm]=264;
Z3[mm]=264;
t1[mm]=116;
t2[mm]=116;
A[mm]=121



DN/OD250

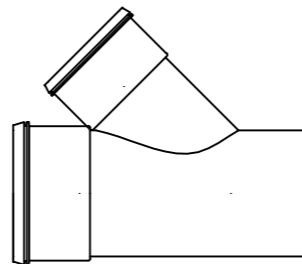
ТРОЙНИК PRAGMA 250/160-45°

dn[mm]=250;
d1[mm]=160;
Z1[mm]=155;
Z2[mm]=456;
Z3[mm]=302;
t1[mm]=134;
t2[mm]=97;
A[mm]=140



ТРОЙНИК PRAGMA 250/200-45°

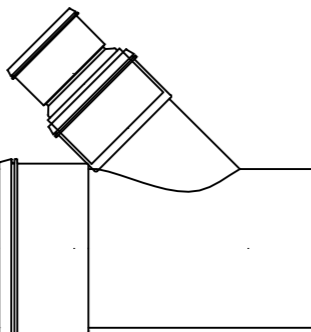
dn[mm]=250;
d1[mm]=200;
Z1[mm]=155;
Z2[mm]=300;
Z3[mm]=302;
t1[mm]=134;
t2[mm]=116;
A[mm]=140



DN/OD315

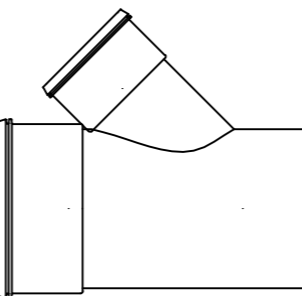
ТРОЙНИК PRAGMA 315/160-45°

dn[mm]=315;
d1[mm]=160;
Z1[mm]=139;
Z2[mm]=494;
Z3[mm]=345;
t1[mm]=146;
t2[mm]=97;
A[mm]=154



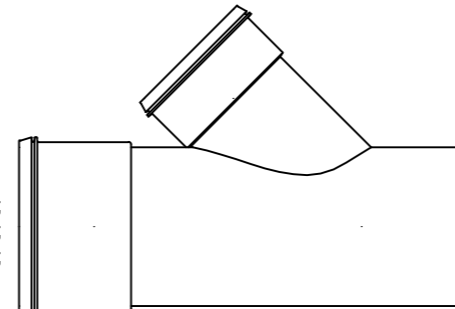
ТРОЙНИК PRAGMA 315/200-45°

dn[mm]=315;
d1[mm]=200;
Z1[mm]=139;
Z2[mm]=338;
Z3[mm]=345;
t1[mm]=146;
t2[mm]=116;
A[mm]=154



ТРОЙНИК PRAGMA 315/250-45°

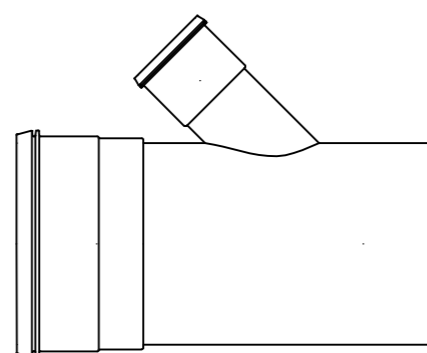
dn[mm]=315;
d1[mm]=250;
Z1[mm]=213;
Z2[mm]=360;
Z3[mm]=531;
t1[mm]=146;
t2[mm]=124;
A[mm]=154



DN/OD400

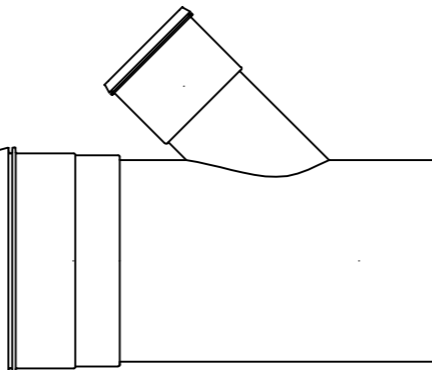
ТРОЙНИК PRAGMA 400/160-45°

dn[mm]=400;
d1[mm]=160;
Z1[mm]=131;
Z2[mm]=458;
Z3[mm]=529;
t1[mm]=158;
t2[mm]=94;
A[mm]=198



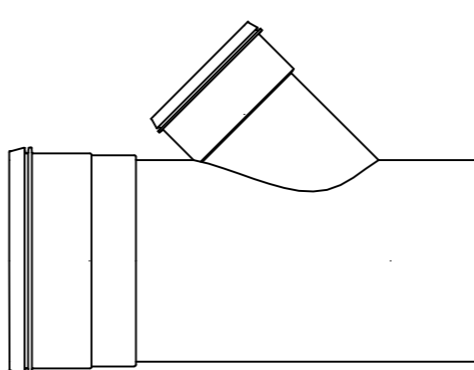
ТРОЙНИК PRAGMA 400/200-45°

dn[mm]=400;
d1[mm]=200;
Z1[mm]=159;
Z2[mm]=491;
Z3[mm]=567;
t1[mm]=158;
t2[mm]=113;
A[mm]=198



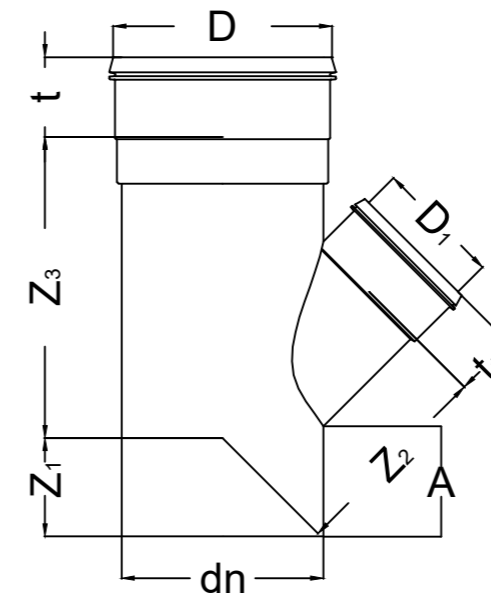
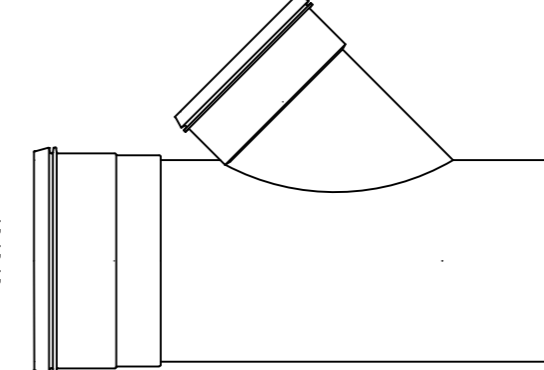
ТРОЙНИК PRAGMA 400/250-45°

dn[mm]=400;
d1[mm]=250;
Z1[mm]=195;
Z2[mm]=411;
Z3[mm]=598;
t1[mm]=158;
t2[mm]=124;
A[mm]=198



ТРОЙНИК PRAGMA 400/315-45°

dn[mm]=400;
d1[mm]=315;
Z1[mm]=241;
Z2[mm]=446;
Z3[mm]=651;
t1[mm]=158;
t2[mm]=130;
A[mm]=198



Забележка: Възможно е несъответствие на изображенията на продуктите с действителните.

PRAGMA DETAILS

Couplers

Разклонители за тръби тип PRAGMA

3/5/2021

1:15

ISO A2 (594.00 x 420.00 MM)